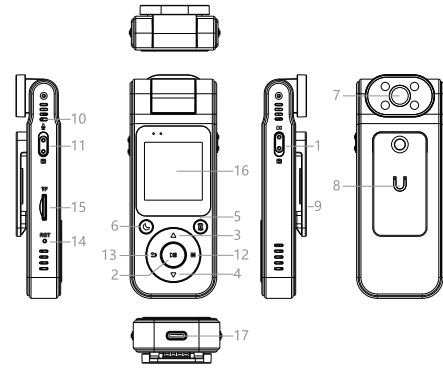


一、产品结构

产品说明



- 1) 录像/保存键
- 2) 电源键/确认键
- 3) 上键
- 4) 下键 (长按打开WiFi)
- 5) 镜头旋转键
- 6) 拍照/夜视灯 开/关
- 7) 镜头
- 8) 背面磁铁
- 9) 正面背夹
- 10) 喇叭
- 11) 录音/保存键
- 12) 菜单键
- 13) 返回键
- 14) 复位孔
- 15) TF 卡槽
- 16) 显示屏
- 17) USB 接口

二、按键及接口功能介绍

1. 录像/保存键

按键往上拨动开始录像, 往下拨动停止录像并保存。

2. 电源键/确认键

- 1) 短按开机, 长按关机;
- 2) 菜单模式下为确认键;

3. 上键

- 1) 向上选择键;
- 2) 录像/拍照模式下短按放大焦距。

4. 下键

- 1) 向下选择键;
- 2) 录像/拍照模式下短按可缩小焦距。

5. 镜头旋转键

- 1) 短按画面旋转 180 度;

6. 拍照/保存键

- 1) 短按为夜视灯, 打开与关闭
- 2) 长按为拍照, 然后按M键回放查看和返回主菜单

11. 录音/保存键

按键往上拨动开始录音, 往下拨动停止录音并保存。并返回主键面。

12. 菜单键

A: 长按M键进入菜单设置界面, 更改设置中短按 (▷||) 电源键保存。按 (◀) 返回。

B: 短按M键1次, 左上角有拍照图标进入拍照界面, 再按 (▷||) 电源键1次拍照完成。继续短按M键1次是文件回放, 再按M键一次返回主界面。

C: 录像键推上去, 录像状态中, 长按M键是文件加锁, 再次短按M键, 取消加锁, 回到拍照图标界面, 再短按M键进入文件查看。

PICT为图片文件
RECR为录音文件
MOVI为录像文件
LOCK为长锁文件

查看中上键为上翻, 下键为下翻,
选择文件后按 (▷||) 确认播放查看

D: 文件回放查看中, 长按M键会出现删除和保护功能, 可选择删除当前和删除全部文件, 加锁文件内容需要进入菜单格式化方可删除。再次短按M键返回主界面。

13. 返回键

在录像; 录音; 待机状态, 短按进入屏保模式。

14. 复位孔

当机器出现花屏、异常死机等情况时, 用针孔状的东西短戳一下可重新启动。

15. TF 卡槽

存储卡插槽

17. 声控功能 (可选) 简介

A: 开始录像, 停止录像
B: 开始录音, 停止录音
C: 打开屏幕, 关闭屏幕
D: 打开WIFI, 关闭WIFI

仅限普通话

三、基本操作说明

1. USB 模式

设备使用 USB 数据与电脑连接, 设备自动开机后屏幕显示 '存储器/

PC 摄像/视频模式' 三个选项:

存储器: 在此模式下可进行视频文件或者照片文件的存取与查看;

PC 摄像: 在此模式下可用于电脑摄像头进行使用;

视频模式: 仅用于电脑给设备供电。

四、产品参数与规格

1	镜头	可旋转镜头, 180 度
2	TFT 显示屏	彩色显示屏(240*240)
3	录像分辨率	1080P、2K、4K
4	拍照分辨	1.3M, 2M, 3M, -50M
5	时间日期	
6	日期标签	开/关
7	循环录像	关、1分钟、3分钟、5分钟、10分钟
8	声控开关	开/关
9	视频预录	开/关
10	镜头转向	前/后

11	连拍	1.3M, 2M, 3M, -50M
12	曝光补偿	2、1、0、-1、-2
13	格式化	取消/确认
14	语言	英、简体中、繁体中、日、韩、俄、法、德、捷克、葡萄牙、波兰、荷兰、土耳其
15	自动关机	关、1分钟、3分钟、5分钟、10分钟
16	屏幕保护	关、30秒、1分钟、3分钟、5分钟
17	按键音	关、开
18	版本	
19	默认设置	取消/确认
20	工作温度	+65°C -20°C
21	供电	USB电压5V, 电流≥1A
22	待机电流	USB整机待机电流: ≤5.44mA 电池待机电流: ≤39.1mA
23	低电提示	3.48V
24	电源功耗	BAT3.7V/≤262mA/≤0.97W USBV/≤637mA/≤3.18W
25	内存卡	TF卡, 最大支持128G

注意: 本产品保留设计和规格更改权恕不另行通知

扫描下面二维码进行 APP 下载安装

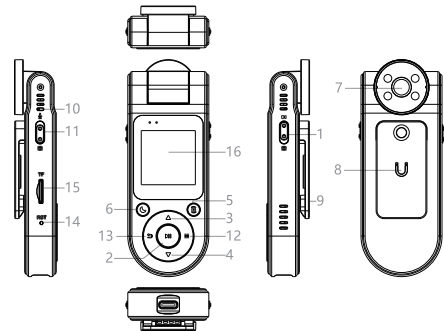


SSID: L19/L20开头
密码: 12345678

长按下键是打开WiFi,
再次短按一下, 3秒后退出Wifi。
(WiFi可选) 无wifi不需下载

1. Product structure

Product description



Note: The appearance picture is subject to the actual

- | | |
|--|-------------------------|
| 1) Video/Save key | 9) Front and back clips |
| 2) Power button/Confirm button | 10) mark hole |
| 3) Up key | 11) Record/Save key |
| 4) Down key (Long press to open WIFI) | 12) Menu key |
| 5) Lens rotation button | 13) Return key |
| 6) Take photos/night vision light on/off | 14) Reset hole |
| 7) The lens | 15) TF card slot |
| 8) Back magnet | 16) Display screen |
| | 17) USB interface |

2. Introduction of buttons and interface functions

1. Video/Save key

Push the button up to start recording, push it down to stop recording and save.

2. Power button /Confirm key

- 1) Short press to turn on, long press to turn off;
- 2) Confirm key in menu mode;
- 3) When recording, short press to lock.

3. Press the upper key

- 1) Up select key;
- 2) Short press to enlarge the focal length in video/photo mode.

4. Press the down button

- 1) Down select key;
- 2) Short press in video/photo mode to reduce the focus.

5. Lens rotation button

- 1) Press the screen to rotate 180 degrees;
 - 2) Long press to quickly change the resolution (you need to set it in the menu first).
6. Photo/Save button

- 1) Short press to turn on and off night vision light
- 2) Long press to take a picture, then press the M key to replay the view and return to the main menu

11. Recording/saving keys

Press the button upwards to start recording, and downwards to stop recording and save. Long press (13) and press the return button 3 times to return to the recording interface.

12. Menu keys

A: Hold down the M key to enter the menu setting screen, and press the (▷||) power button to save the Settings. Press (◁) to return.
 B: Press the M button once. There is a photo icon in the upper left corner to enter the photo screen. Press the (▷||) power button once to take a picture. Press the M key once to play back the file, and press the M key again to return to the main screen.

C: Press the video button. In the recording state, long press the M key to lock the file. Press the M key again to cancel the lock, return to the photo icon interface, and press the M key again to enter the file view.

PICT is a picture file
 RECR is a recording file
 MOVI is a video file
 LOCK is a long lock file

The up key for viewing is up, and the down key for viewing is down. After selecting a file, press (▷||) to confirm the playback and viewing
 D: During file playback viewing, long press the M key to appear the deletion and protection functions. You can choose to delete the current file or delete all files. The locked file content can be deleted only after entering the menu to format it. Press the M key again to return to the main screen.

13. Return key

Long press to enter the album; Short press again to enter list mode for viewing: Short press to enter screen saver mode

14. reset holes

When the machine experiences screen blur, abnormal crashes, and other situations, short poke with a needle hole like object to restart

15. TF card slot

Memory card slot

17. Introduction to Voice control (optional)

A: Start recording, stop recording
 B: Start recording, stop recording
 C: Turn the screen on and off
 D: Turn on WIFI and turn off WIFI

Chinese language only

3. Basic operating instruction

5. USB mode

The device uses USB data to connect to the computer. After the device starts up automatically, the screen displays three options of "memory /PC camera/video mode" :

Memory: In this mode, video files or photos can be accessed and viewed;

PC camera: In this mode can be used for computer camera;

Video mode: Used only by the computer to power the device.

4. Product parameters and specifications

1	Lens	Rotatable lens, 180 degrees
2	TFT display	Color display (240*240)
3	Video resolution	1080P, 2K, 4K
4	Photo resolution	1.3M, 2M, 3M, -50M
5	Time and date	
6	Date label	On/Off
7	Loop recording	Off, 1 minute, 3 minutes, 5 minutes, 10 minutes
8	Voice-activated switch	On/Off
9	Video pre-recording	On/Off
10	Lens turn	Front/back
11	continuous shooting	1.3M, 2M, 3M, -50M
12	Exposure compensation	2, 1, 0, -1, -2

13	formatting	Cancel/confirm
14	Language	English, Simplified Chinese, Traditional Chinese, Japanese, Korean, Russian, French, Germany, Czech Republic, Portugal, Poland, Netherlands, Earth
15	Automatic shutdown	Off, 1 minute, 3 minutes, 5 minutes, 10 minutes
16	Screen saver	Off, 30 seconds, 1 minute, 3 minutes, 5 minutes
17	Keying tone	Off and on
18	edition	
19	Default setting	Cancel/confirm
20	Operating temperature	+65°C -20°C
21	Power supply	USB voltage 5V, current ≥1A
22	Standby current	USB Overall standby current : ≤5.44mA Battery standby current : ≤39.1mA
23	Low voltage warning	3.48 V
24	Power consumption	BAT3.7V/≤262mA/≤0.97W USBV/≤637mA/≤3.18W
25	Memory card	TF card, maximum support 128G

Note: Design and specifications are subject to change without prior notice.

Scan the QR code below to download and install the APP



SSID: Starting with L19/L20
 Password: 12345678

Long press the button to turn on WiFi, Tap again and exit WiFi after 3 seconds.
 (WiFi optional) No wifi download is required